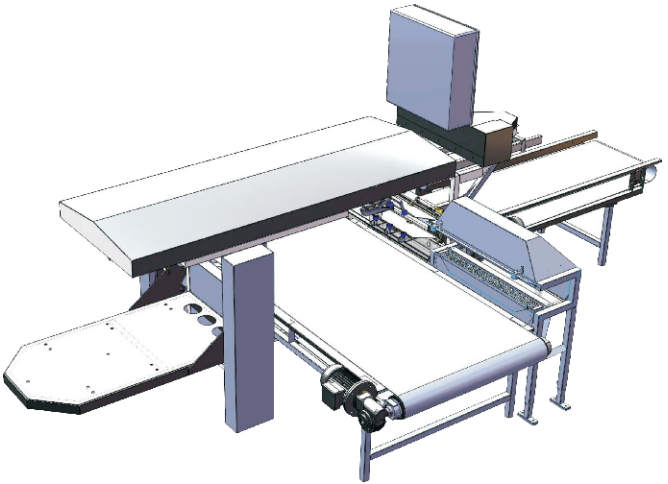
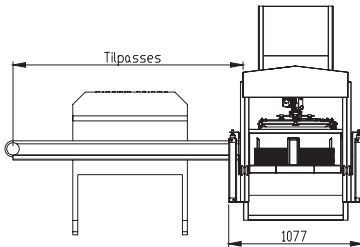
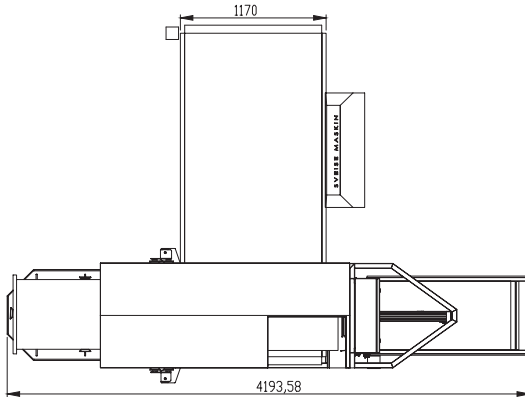
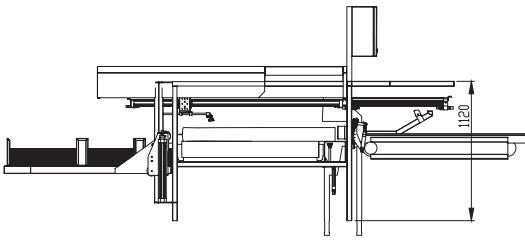


**THE OPTIMAL SOLUTION  
FOR PACKING FROZEN  
FISH BLOCKS FROM  
VERTICAL PLATEFREEZER  
(20-50kg.)**



**Atlantic®**



### Technical spesification:

Electrial power supply: 220V, 1 phase, 16 Amps

Air supply: 7 Bar

Weight appr.: 200 kgs.

(For sealing machine, see separate spec.)

General agent:



### Atlantic Trading AS

P.O. Box 410, NO-6001 Aalesund

Tlf. (47) 70 10 18 00

Fax (47)70 10 18 10

[www.atlantic.no](http://www.atlantic.no)

Produced by:



### Volf Industrier AS

Haahjem Naeringspark, NO-6260 Skodje

Tlf. (47) 70 27 56 62

Fax (47) 70 27 59 26

[www.volf.no](http://www.volf.no)